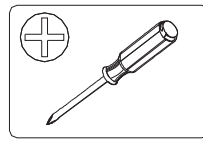
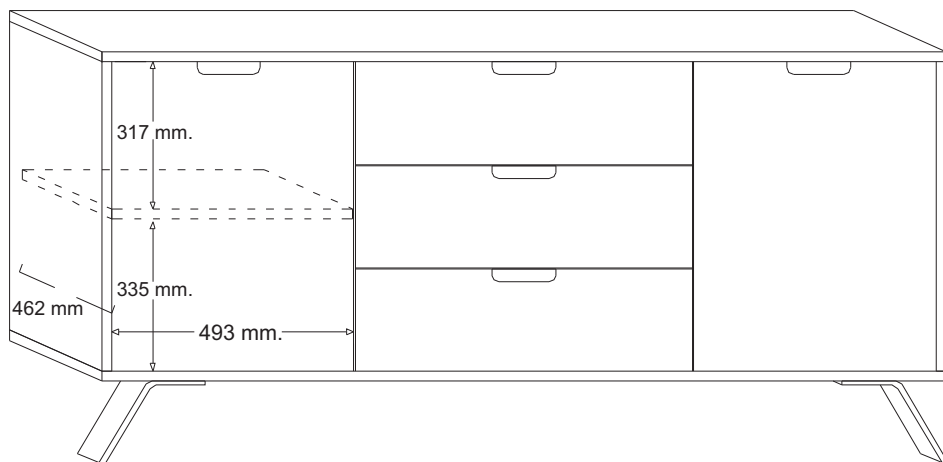
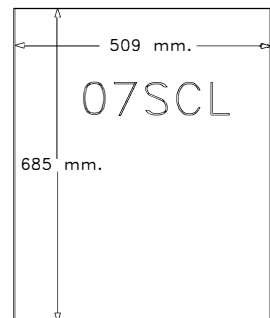
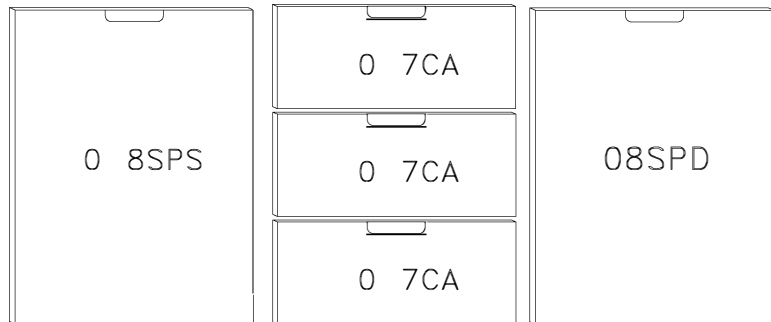
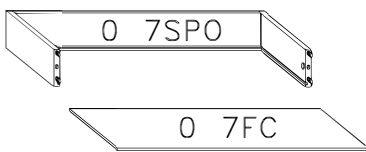
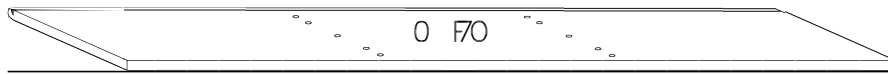
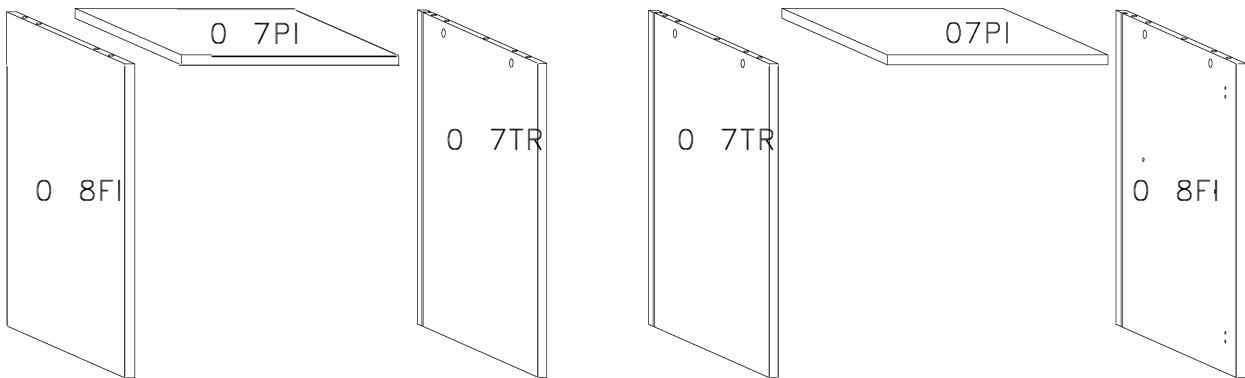
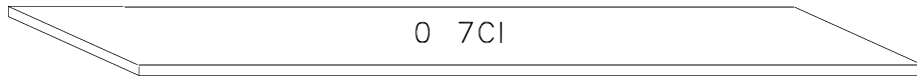
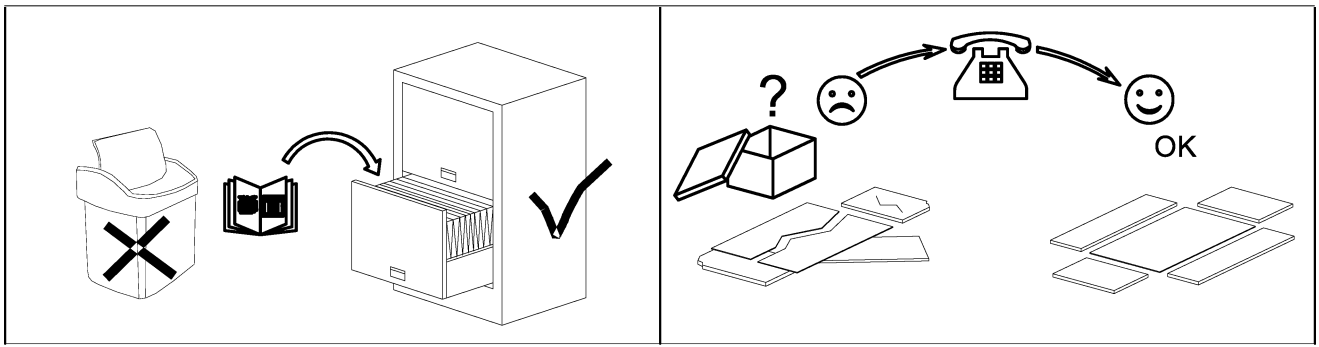


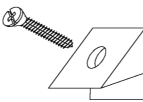

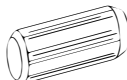


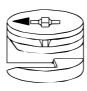
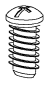
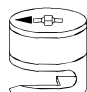
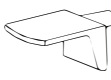


120 min.



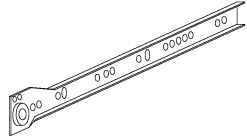
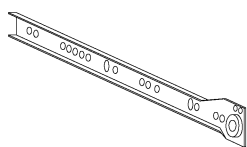
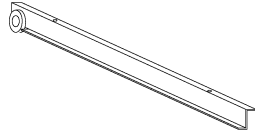
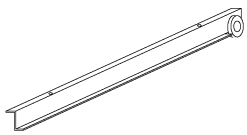
4 mm.



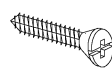
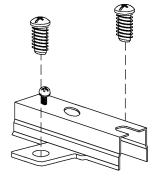
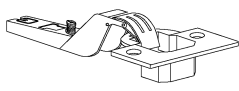


A		x28	E		x4	205446-07CF
				7x60 mm.		
B		x25	M2		x12	P12
	8x30 mm.			3x16 mm.		
C		x4	M11		x12	Ø20 mm.
	Ø15 x 12 mm			6x11 mm.		T4
C8		x8	R		x8	6x20 mm.
	Ø15 x 14 mm					T12
D		x12	P		x10	6 ma X 20 mm.
						T13
					x3	6x40 mm.

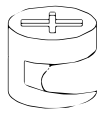

207236-06UGUI

CL		x3
CR		x3
DR		x3
DL		x3

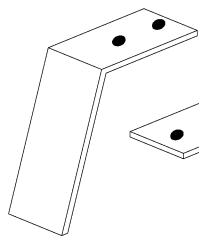
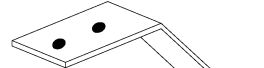
209025-07CC

L2		x8
	4x16 mm.	
N1		x4
O		x4


531019-02SCFS

C1		x6
	Ø12 mm.	
D1		x6

205446-08PIE

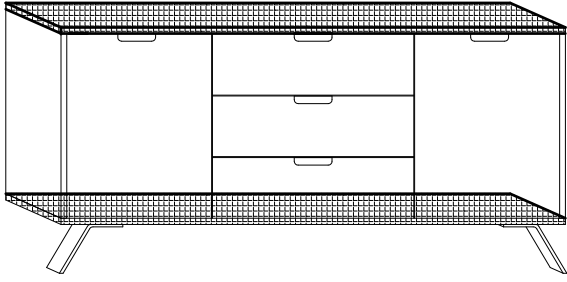
	x2
	

205446-02TUB

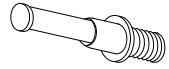
P8		x3
	140 mm.	



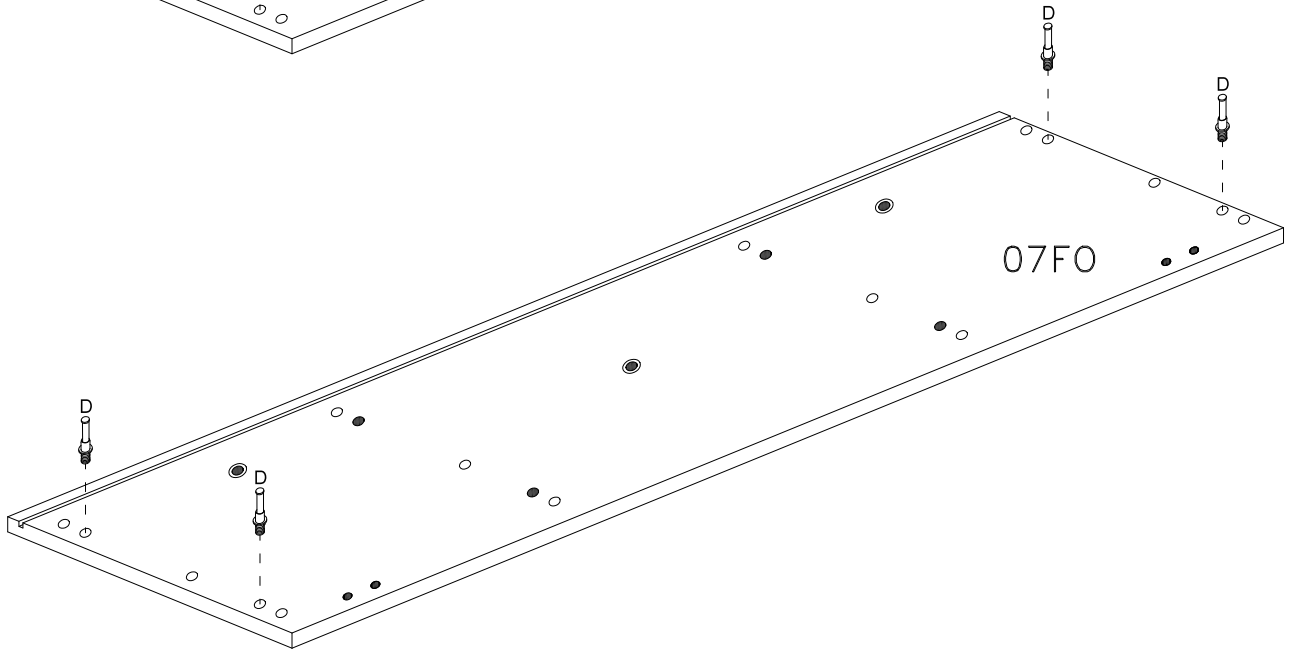
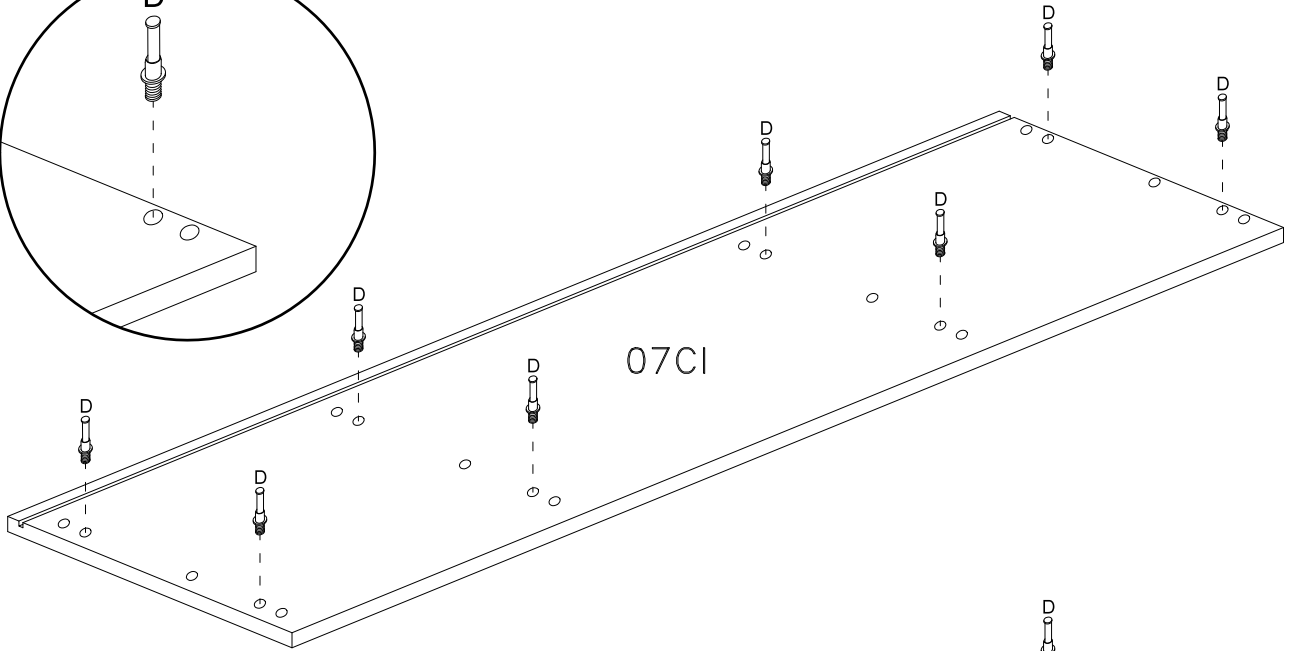
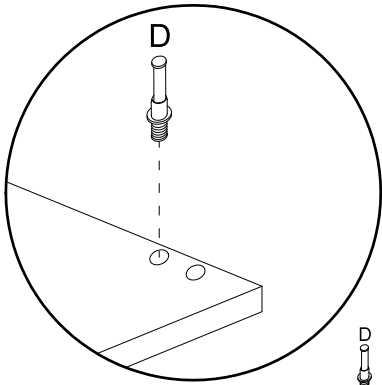
1



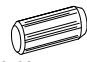


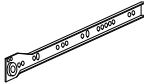
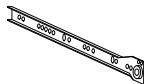

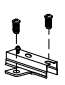
D

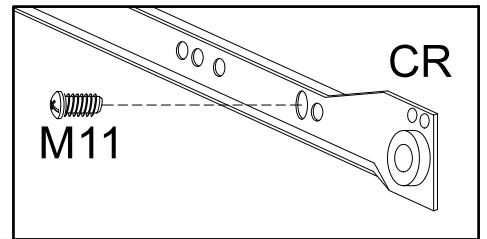
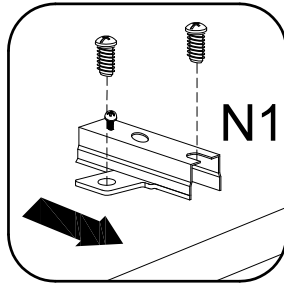
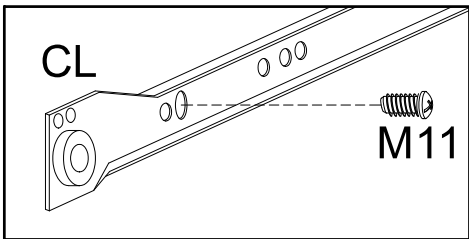
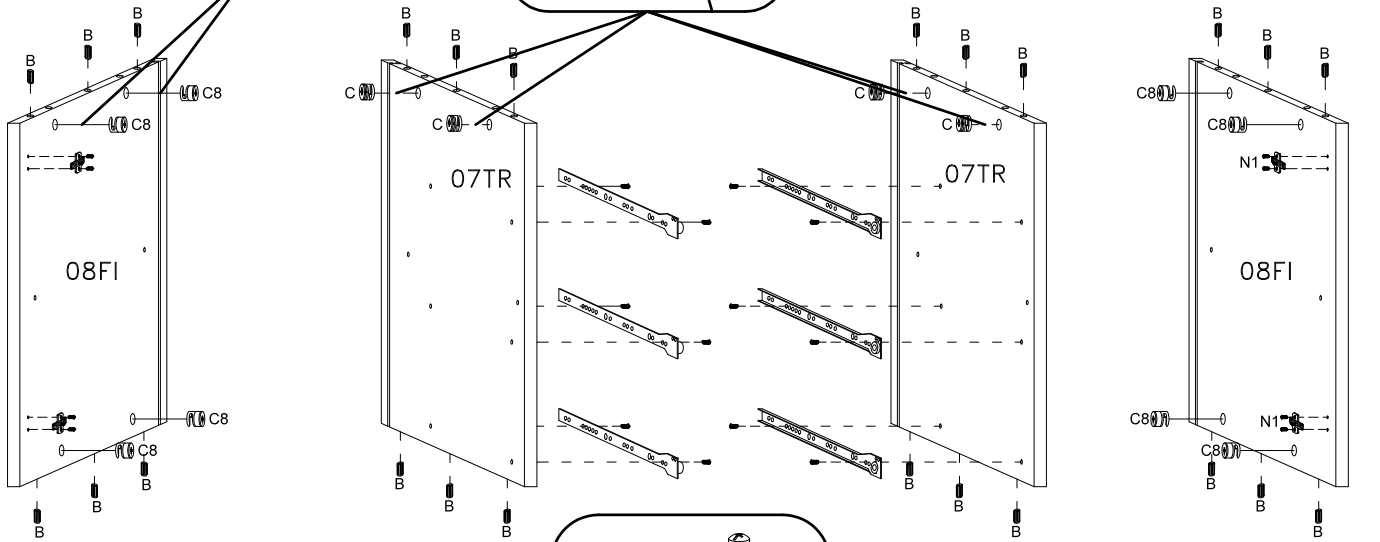
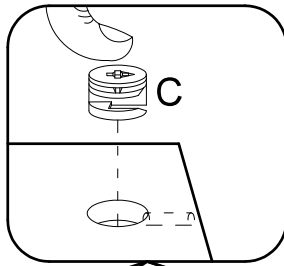
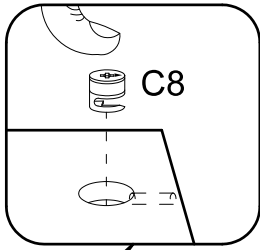


x12




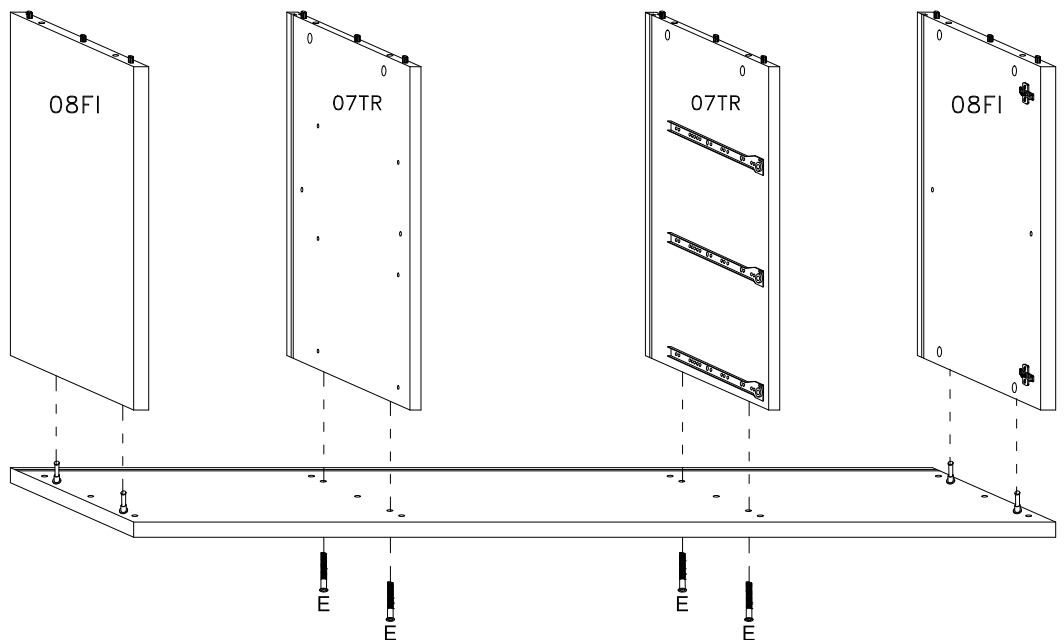
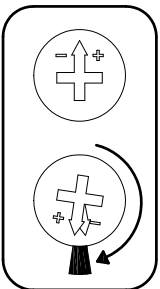
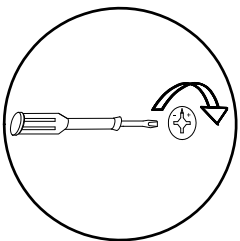
2

- B  8x30 mm. x24
- C  $\varnothing 15 \times 12$ mm x4
- C8  $\varnothing 15 \times 14$ mm x8
- CL  x3
- CR  x3
- M11  6x11 mm. x12
- N1  x4

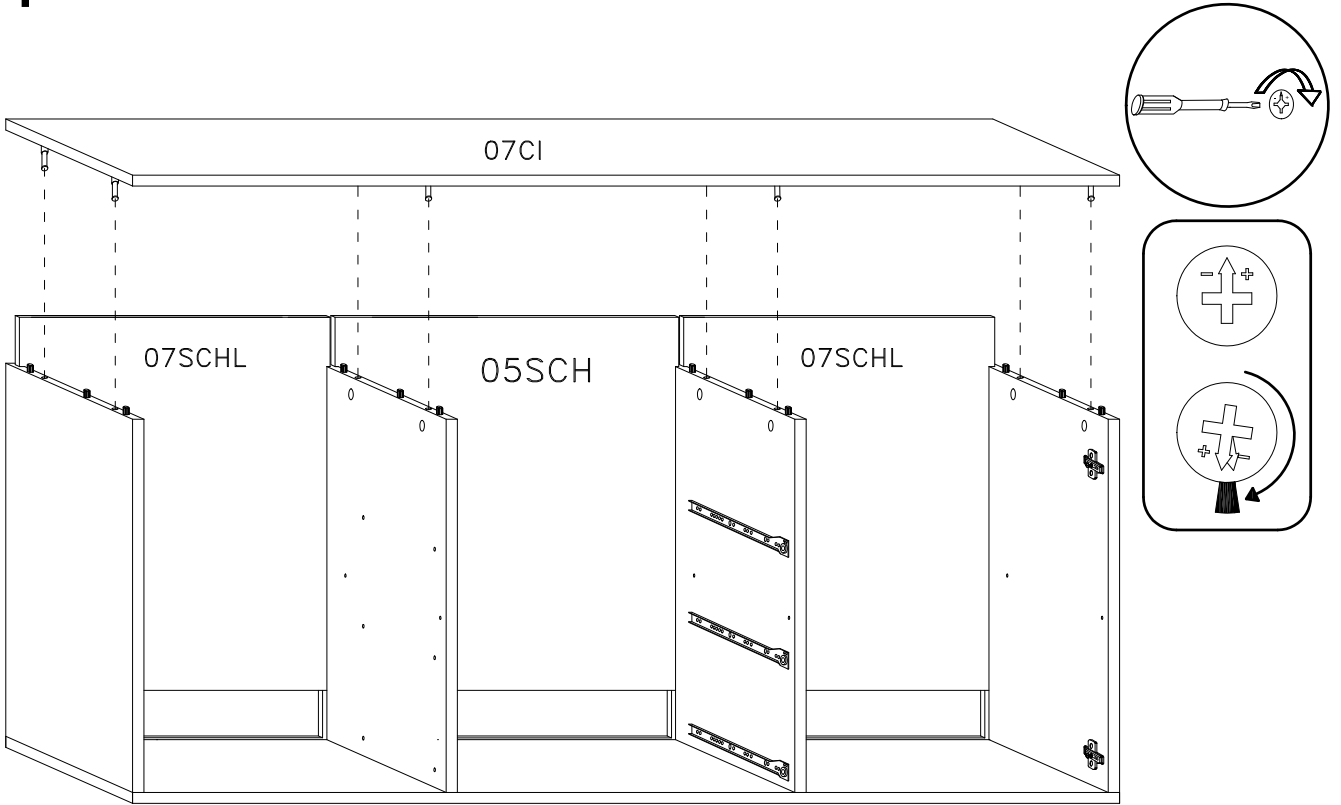


3

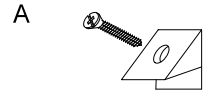
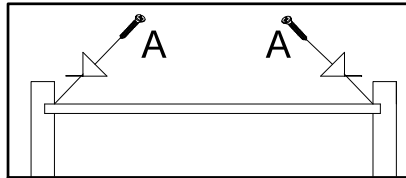
- E  7x60 mm. x4



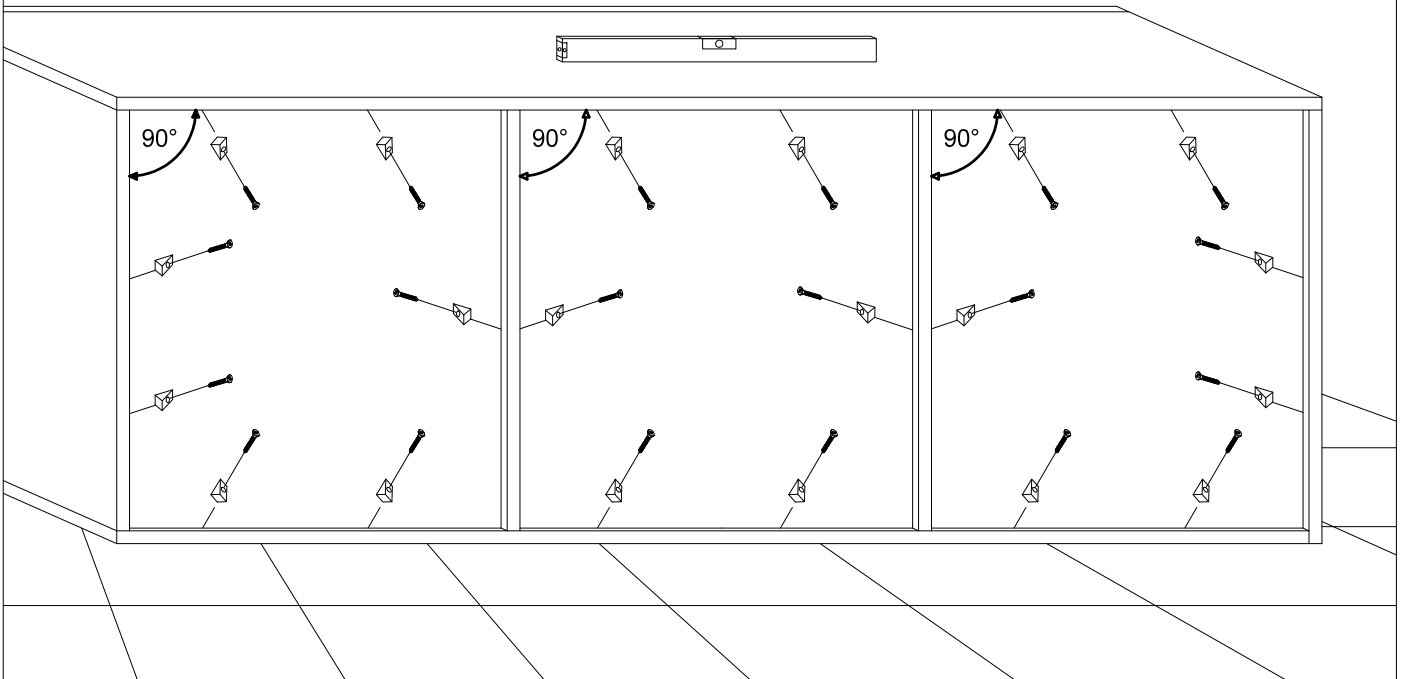
4



5



x22



6

T4



6x20 mm.

T12



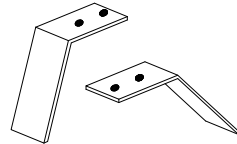
6 ma X 20 mm.

T13



6x40 mm.

PIE

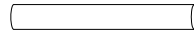


x4

x4

x2

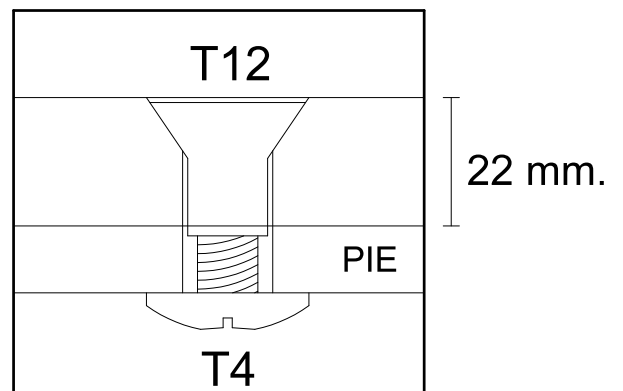
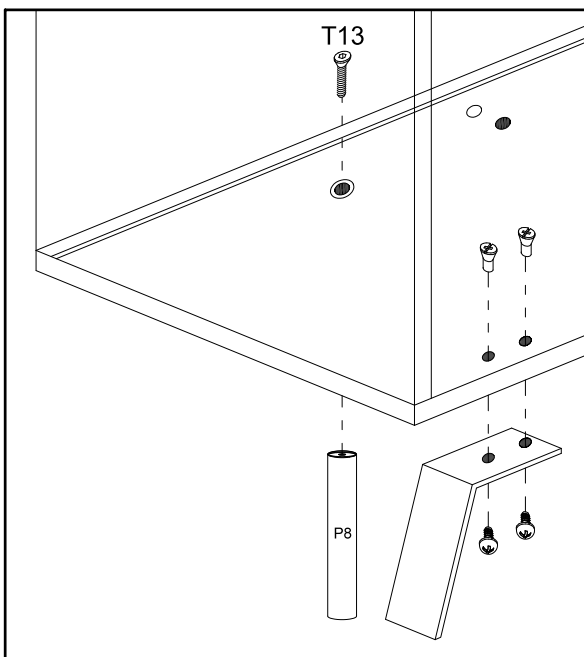
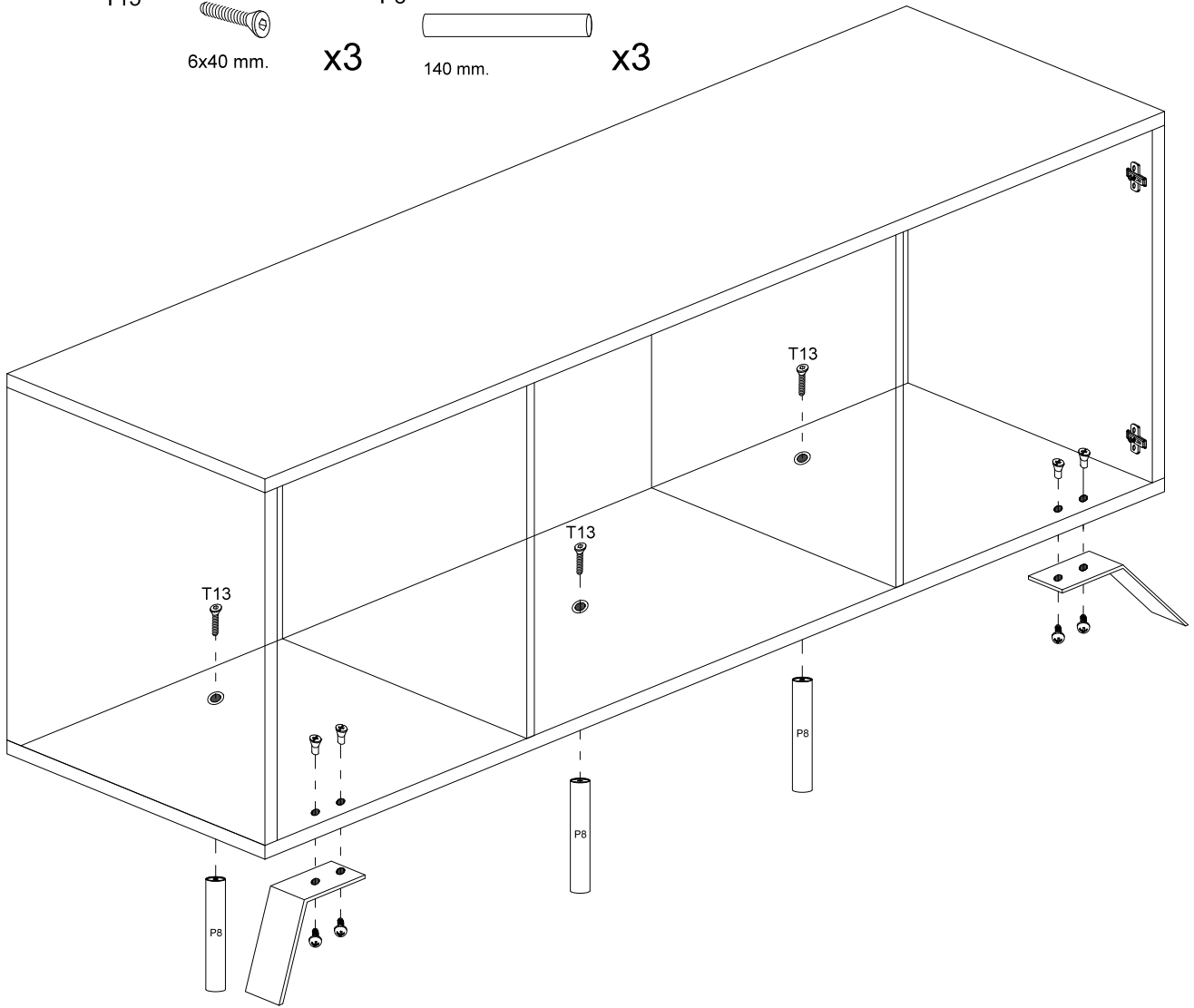
P8



x3

140 mm.

x3

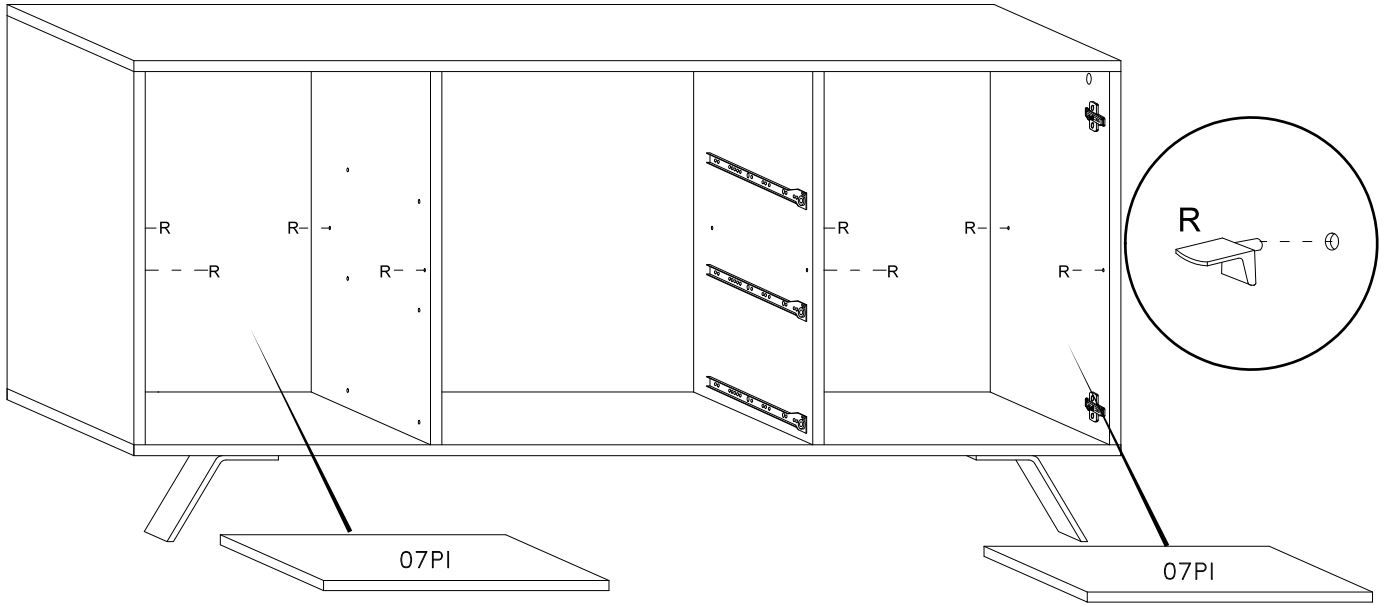


7

R



x8



8

L2



x8

P

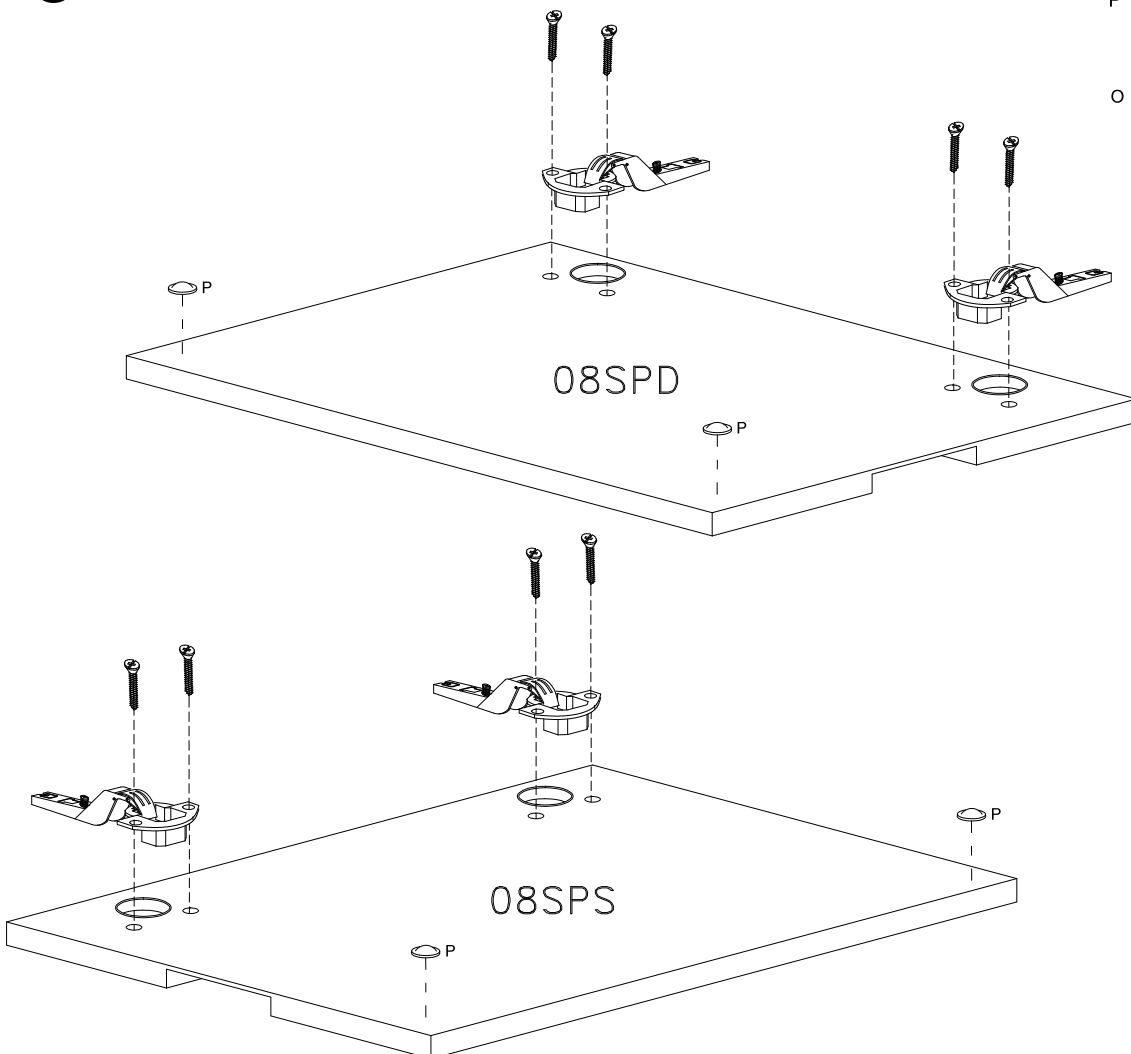


x4

O



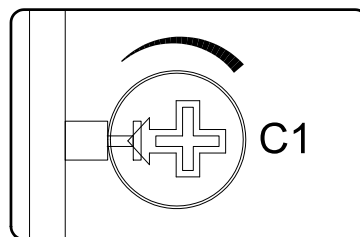
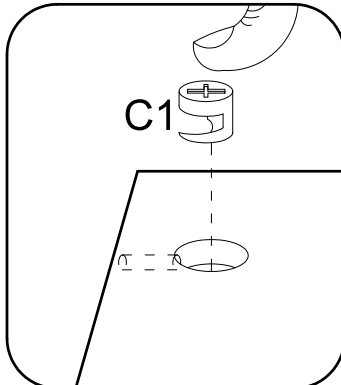
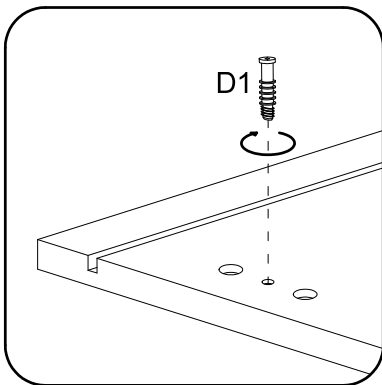
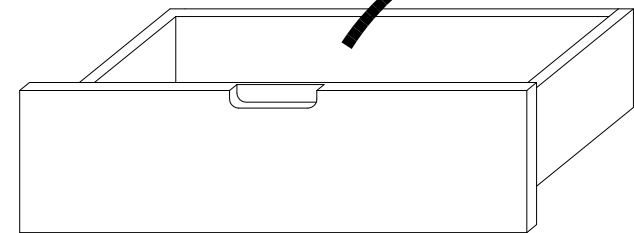
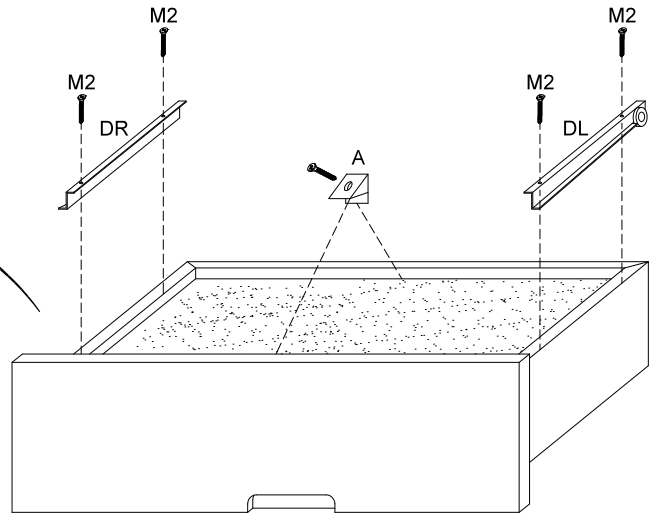
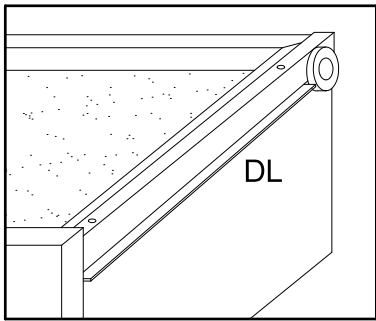
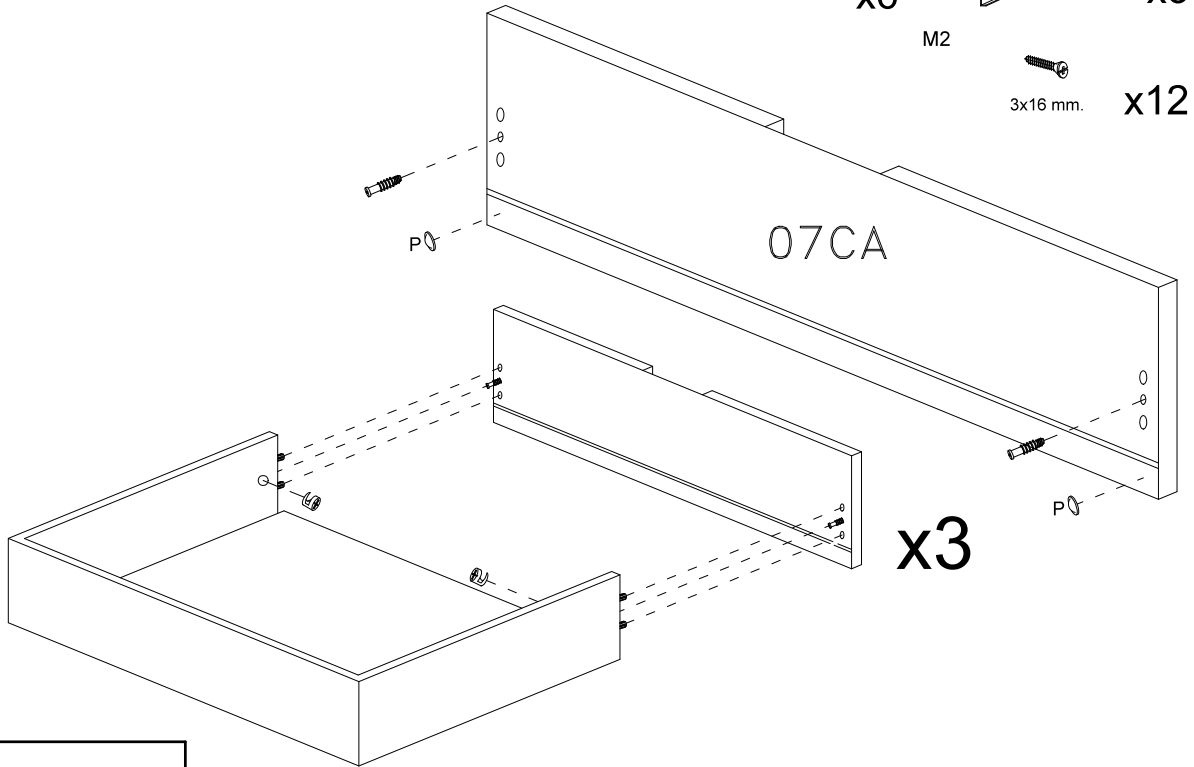
x4



9



- A x6
- C1 x6
ø12 mm.
- D1 x6
- P x6
- DR x3
- DL x3
- M2 3x16 mm. x12



10

